

Flexi_Zone_Stamp

RNo.	Li-01-01
RN	Living Room
meas.net	43,60m ²
Floor Finish Title	F

GDL Library Part for Archicad 25 ++

The library part optionally generates zone stamps or zone stamp labels and is controlled in essential areas by an associated model view option object.

In addition to the alternative use as a stamp or label, it allows multiple flexible use in terms of layout and content.

Requirements

- Archicad from Version 25

Features

The object has the following properties in both variants:

- Object can be used as a zone stamp or label
- 9 anchor points, controllable via Hotspot
- Distance guide for even placement to any room edge
- Text formatting: left, right, centre, justification
- Stamp positions for each scale (can be moved by hotspots)
- Arrow/line for small spaces when used as label
- Target / is adjustment, target = is, target = free value
- Divide target areas (distribute target area to 5 rooms)
- Optional - Integration for parameters for apartment stamp
- Optional - Zone stamp can be divided with hotspot into 2 pieces
- Depth of information via Model View Options:
 - Number of rows/entries
 - Identifier: standard, off, or own abbreviation
 - Arbitrary number and sequence of space stamp parameters and properties
 - Text style (bold, italic)
 - Factor text size
 - several room categories to which the placed zone stamps can be mapped, i.e. a different number of displayed parameters is possible per room category.
 - any heading lines for different sections/areas

- customisable fill background of the pure stamp
- Lines/frames can be switched on and off as a whole as well as row- and column-wise
- Text size factor
- Decimal places for height values
- Decimal places of the area values
- Setting optional line break in content column
- Background fill can be activated independently of the Model View Options in the stamp.
- Frame lines can be switched off individually in the object.

How it works

1. settings in the Model View Options

The basic settings are made in the Model View Options (see graphic on page 2). This makes it possible to create an individual, but stamp-uniform representation not only for each scale, but also for each view.

A so-called Model View Options object is supplied with this object, with which you can save a separate "model view" for each saved view, so that you can create an almost unlimited number of different view variants.

Proceed as follows:

- Call up the Model View Options dialogue (Document >> Model View >> Model View Options or your keyboard shortcut).
- Select the tab "Flexi_Zone_MVO...." on the right side
- Then make the desired settings for the views (detailed description below).
- When you have made all the desired settings, click on "New..." at the bottom left and assign a meaningful name.
- Finally, be sure to click on "OK" at the bottom right (not on „Cancel“).
- You can now assign one of the created and named Model View Options to any view.

2. details of the Model View Options

- On top of the MVO-panel you can set the following:
 - Background Fill on/off with foreground and background color
 - Factor Text Size: globally for all text fields

▼ FLEXI_ZONE_MVO V0.57: 27.06.2023

Background-Fill Factor Text Size Deci. points heights Deci. point areas Line break content Warning off uptodate?

Width colu...

Category exceptions

Ref?	Name ref.	Parameter	Property/Header	Text style	is	is	is	is	is
1 + -	Standard > RNo.	Zone number >		B / 1,0C	✓	✓	✓	✓	✓
2 + -	Standard > RN	Zone name >		B / 1,0C	✓	✓	✓	✓	✓
3 + -	Standard > meas.net	Measured Net >		B / 1,0C	✓	✓	✓	✓	✓
4 + -	Standard >	Property >	Floor Finish T >	B / 1,0C	✓	✓	✓	✓	✓

Number lines: 4 All lines on/off

- Number of decimals for height values
- Number of decimals for area values
- Line break in the content area; you can specify the max. allowed column width below
- Warning off: If you move the zone stamp with the black hotspots and not with the pink ones, there will popup a warning „!“ in the 2D window. With this checkbox you can optionally deactivate this warning. Normally the warning will disappear after you have change another parameter. In some cases (e.g. if you are using hotlinks) the warning does not disappear.
- uptodate: check here if you have the latest version
- On the far left are the row numbers, plus ("+") and minus ("-") signs. By clicking on the plus sign, you can add a row at any position. With the minus signs you can remove a row at any position.
- There is space for 13 lines in the Model View Options. If you need more lines, all lines jump up one row as soon as you click on a plus symbol. In addition, scroll arrows appear at the bottom with which you can scroll up or down as necessary.
- The other columns in order from left to right are:
 - Ref? (=designation): Here you can choose between "standard", "off" and "own". In the case of "standard", the unchangeable standard value from the second text column (Name ref.) is displayed as the designation in the zone stamp, in the case of "off" no value is displayed and in the case of "own" an individually selectable value that can be edited in the second text column. In addition, with "off" the values from the 3rd text column in the stamp move 1 column to the left.
 - Name ref. has already been explained.
 - Parameter: here you select the actual values to be displayed. You have the choice between various default values, apartment stamp values, headings and any properties.
 - In the 4th text column, select the desired property if "Property" was selected in the 3rd text column.
 - "Text style": bold and/or italic can be selected for each line.
 - Fact: Factor text size per line
 - Category exceptions: Zone Categories can be created and edited via the Archicad® menu "Options >> Element Attributes >> Zone Categories" (below: Figure 1). The info button leads you to a website where this is explained in the same way as follows:
 - Each room is assigned to a specific zone category. This assignment is made via a button in the info bar or in the settings for the room selection (Figure 2). By default, all fields defined in the Model View Options are displayed in all Flexi_Zone_Stamps and Flexi_Zone_Labels. However, for certain room categories it may be desired that the information density is lower. In this case, enter the desired category abbreviations in 1 - 5 fields at the top of the Model View Options under the heading



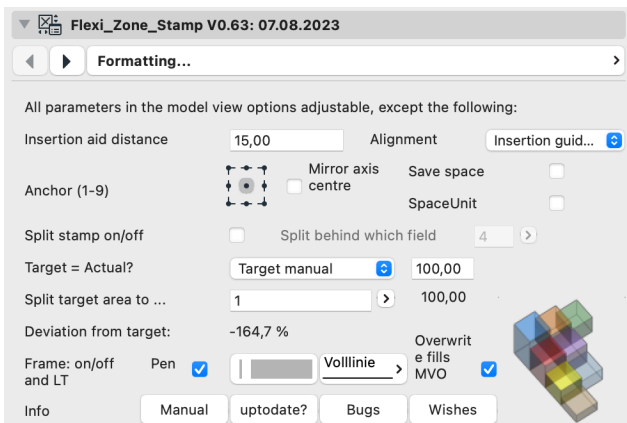
"Category Exceptions" (Figure 3).

For this, you can make case distinctions in the selection field above, e.g. whether the zone category to be excluded should begin or end with the string entered below.

Below this, you can select the fields in the checkboxes which should NOT be displayed in the zone stamp or room label assigned to the respective room category under the taken conditions above (Figure 4).

- Mirror axis center: By default, the insertion point of the zone stamp / label is the vertical separator line between the identifier and the value. If you want to have this point exactly centered in the zone stamp, activate this checkbox. This is especially important if you want to mirror rooms completely, so that the zone stamp is mirrored at the same position, which can also be important for hotlinks.
- SpaceSave: only available for justified text: moves the texts of the identifier and content together and removes the middle separator line, if present.
- SpaceUnit: if activated, a space is inserted between number and unit, so instead of 12.50m, 12.50 m appears.
- Split stamp on/off: the stamp can be split into 2 parts if space is limited. The division takes place behind the line to be entered on the right. The separated part can be moved separately as desired.
- Target = Actual? Here you can set whether the target value of the room area should be the same as the actual value or whether it should be entered manually. With manual setting, the deviation is displayed in % in the settings dialogue (UI). In addition, the size of the target area can be divided into up to 5 individual areas of equal size, whose area is then also displayed in the UI.
- Frame on/off + Pen and LT: Independent of the Model View Options the frame can be switched off here (but not switched on if it is off in the MVO) . Here you can set the pen colour and the line type of the frame that was activated in the Model View Options.
- Overwrite fills: if you need a background fill for a stamp independent of the MVOs, you can activate her.
- 4 support-buttons: Links to pdf-manual, uptodate-check, bugreporting, new feature request.
- On page 2 of the settings dialogue you can optionally set the values for the apartment stamp (add-on object for the Archicad versions in

3. Settings in the zone stamp or zone label



The user interfaces for zone stamps and zone labels are identical with one exception: Apartment stamp parameters are not available for labels.

You can set the following things:

- Insertion aid distance: the zone stamp has a hotspot at each of its 4 corners with a certain distance as an insertion aid, which can be entered here.
- Alignment: „Insertion guide moves from stamp“ or „Stamp moves from the anchor point“
- Anchor: The position of the stamp can be aligned with 9 different anchors, just like the position of a text field.

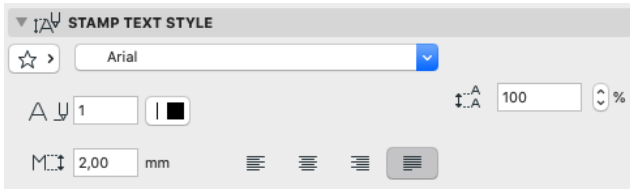
This position can also be adjusted in the floor plan with a rotatable snap point with hotspot arrows.

Germany, Austria and Switzerland) for the stamp (but not for the label).

4. Stamp Text Style

The text settings for the stamp or label are made on the tab "Stamp text style".

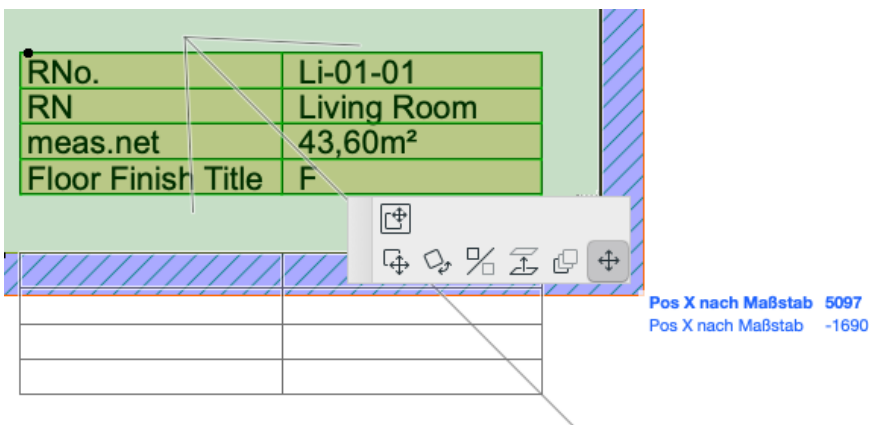
This includes font, text colour, text size, text alignment (left-aligned, centred, right-aligned, justified) and line spacing.



5. Moving in scale

For each scale, you can move the zone stamp individually by touching the zone stamp with the purple hotspot at the bottom right and moving it to the desired position. It is important that the last symbol shown in the pet palette is pressed and that the hotspot next to it has not been selected for the anchor point; you can tell this by the fact that the correct parameter names "Pos X by scale" and "Pos Y by scale" are shown next to the hotspot.

Note that you do not accidentally move the zone stamp to one of the main black anchor points after a scale shift, as this would lead to global shifts at every scale. To prevent this from happening, you will receive a warning in such cases, which you can make disappear by calling up the object settings once or by using the "Undo" action.



Update check

Please use the button "current?" on the 1st page of the settings dialogue. This will take you to a web page that checks whether you have the latest version. All updates are free of charge for proven purchasers of the object; submit the form found there and you will then receive the latest version.

Delivery scope and installation

The delivered zip file contains the zone stamp object, the label object, as well as the model representation object, a macro object and an object for translations into other languages in the macro folder.

After unpacking, please place the folder with the files in your loaded library.

System requirements

This object only works in the following versions: ArchiCAD 25 upwards.

Restrictions

Only available in English and German. Language versions other than this can also be provided on request.

Questions and suggestions

Questions and suggestions are most welcome, as GDL programmers would like to know how users use the objects, what disadvantages, limitations, requests for improvement etc. exist.

Feel free to write me an email at: jo@b-prisma.de
Or simply press this button on page 1:



interruption, loss of business information or data, or other financial loss).

This item is not freeware. Please be fair and do not pass it on to third parties.

Exclusions and licences

This software is supplied "as is". The library part has been extensively tested, but the programmer makes no warranty for possible data loss, data corruption, or hardware damage and other damages (including damages for loss of profits, business